



# DM 10

## Battery Powered Digital Pressure Gauge

Ceramic Sensor

class 0.5

### Nominal pressure

---

from 0 ... 1.6 bar up to 0 ... 250 bar

### Special characteristics

---

- ▶ rotatable housing and display
- ▶ LC display  
4.5-digit 7-segment display
- ▶ standard battery CR 2450  
operation period > 1.800 h

### Functions

---

- ▶ min / max function with reset function
- ▶ auto-zero
- ▶ setting of pressure unit  
(bar, mbar, psi, MPa, mH<sub>2</sub>O)
- ▶ automatic switch-off configuration

The compact low-cost digital pressure gauge DM 10 is battery-powered and has an adjustable housing; it is thus extremely suitable for mobile pressure monitoring. The 4.5-digit LC-display indicates the battery status, the measurement value as well as the unit, this enables a fast and precise reading.

It is possible to switch between the most common units (bar, psi, Pa, MPa). Additional functions as auto-zero, min / max values and an automatic switching-off complete the DM 10 profile.

### Preferred areas of use are

---



Mobile Pressure Monitoring  
Plant and Machine Engineering  
Pneumatics / Hydraulics



Environmental Engineering  
(water – sewage – recycling)



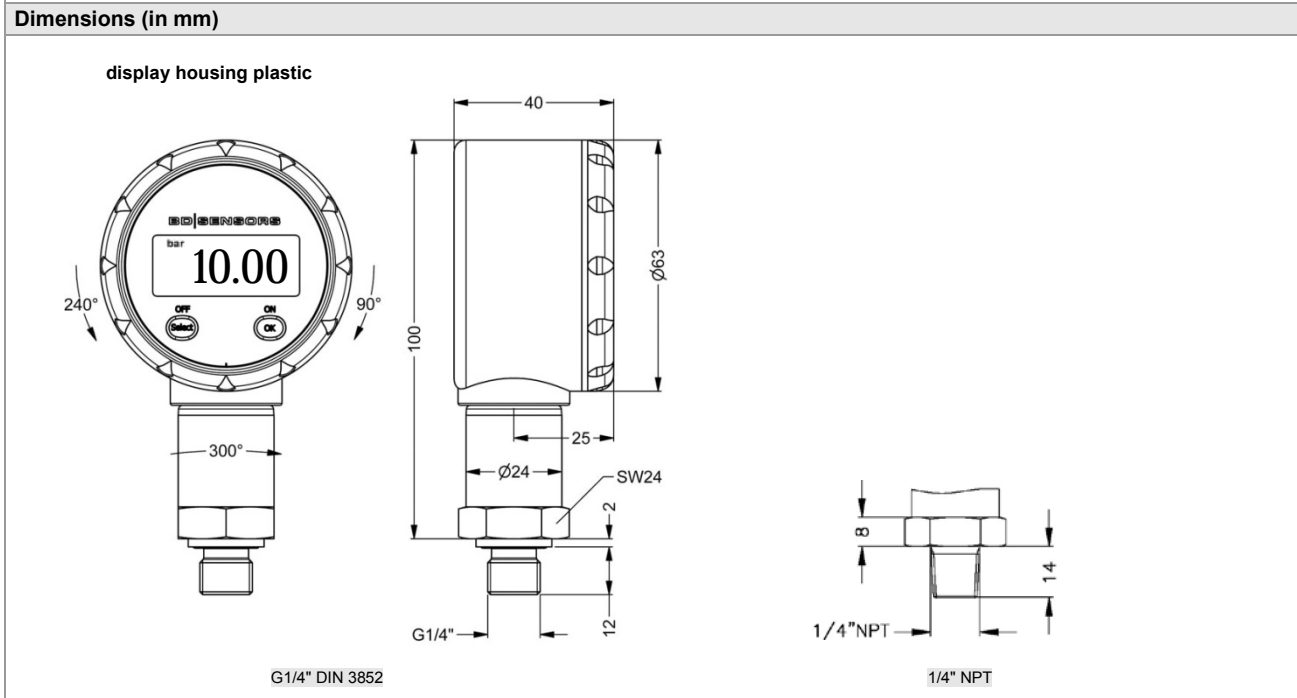
# DM 10

Digital Pressure Gauge

Technical Data

Input Pressure													
Nominal pressure gauge	[bar]	1.6	2.5	4	6	10	16	25	40	60	100	160	250
Overpressure	[bar]	4	4	10	10	20	40	40	100	100	200	400	400
Burst pressure	[bar]	7	7	15	15	35	70	70	150	150	250	450	450
Vacuum resistance		unlimited											

Performance	
Accuracy <sup>1</sup>	≤ ± 0.5 % FSO BFSL
Measuring rate	1/sec
Long term stability	≤ ± 0.3 % FSO / year
<sup>1</sup> accuracy according to IEC 60770 – minimum value setting (non-linearity, hysteresis, repeatability)	
Thermal effects (Offset and Span)	
Tolerance band	≤ ± 0.5 % FSO / 10 K (typ.) in compensated range 0 ... 50 °C
Permissible temperatures	
Permissible temperatures	medium: -25 ... 85 °C environment: 0 ... 70 °C storage: 0 ... 70 °C
Materials	
Pressure port / housing	stainless steel 1.4301 (304)
Display housing	PA 6.6, Polycarbonate
Seals (media wetted)	FKM others on request
Diaphragm	ceramics Al <sub>2</sub> O <sub>3</sub> 96 %
Media wetted parts	pressure port, seals, diaphragm
Miscellaneous	
Display	LC-Display, visible range 36 x 15 mm; 4.5-digit 7-segment-display, digit size 8.5 mm, range of indication ±1999
Electromagnetic compatibility	emission and immunity according to EN 61326
Supply	3 V lithium battery (CR 2450)
Data storage	EEPROM (non-volatile)
Ingress protection	IP 65
Installation position	any
Weight	plastic: approx. 150 g
Operational life of battery	min. 1500 h with permanent operation
Mech. operational life	> 100 x 10 <sup>6</sup> pressure cycles
CE-conformity	EMC directive 2014/30/EU pressure equipment directive: 2014/68/EU (Modul A) <sup>2</sup>
<sup>2</sup> This directive is only valid for devices with maximum permissible overpressure > 200 bar.	



© 2016 BD|SENSORS GmbH – The specifications given in this document represent the state of engineering at the time of publishing. We reserve the right to make modifications to the specifications and materials.

## Ordering code DM 10

DM 10

				-					-	0	-		-	0	K	0	-				-					-													
--	--	--	--	---	--	--	--	--	---	---	---	--	---	---	---	---	---	--	--	--	---	--	--	--	--	---	--	--	--	--	--	--	--	--	--	--	--	--	--

Pressure																									
	gauge	M	0	4																					
Input																									
	[bar]																								
	1.6	1	6	0	1																				
	2.5	2	5	0	1																				
	4.0	4	0	0	1																				
	6.0	6	0	0	1																				
	10	1	0	0	2																				
	16	1	6	0	2																				
	25	2	5	0	2																				
	40	4	0	0	2																				
	60	6	0	0	2																				
	100	1	0	0	3																				
	160	1	6	0	3																				
	250	2	5	0	3																				
	customer	9	9	9	9																		consult		
Accuracy																									
	[BFSL]																								
	0.5 %											B	8												
	customer											9	9										consult		
Mechanical connection																									
	G1/4" DIN 3852											3	0	0											
	1/4" NPT											N	4	0											
	customer											9	9	9										consult	
Seals																									
	FKM											1													
	customer											9											consult		
Pressure port																									
	Stainless steel 1.4301 (304)											2													
	customer											9											consult		
Diaphragm																									
	Ceramics Al <sub>2</sub> O <sub>3</sub> 96%											2													
	customer											9											consult		
Front foil																									
	standard											1													
	neutral											N													
	customer											9											consult		
Special version																									
	standard											0	0	0											
	customer											9	9	9											consult

© 2015 BD|SENSORS GmbH - The specifications given in this document represent the state of engineering at the time of publishing. We reserve the right to make modifications to the specifications and materials.

01.06.2013