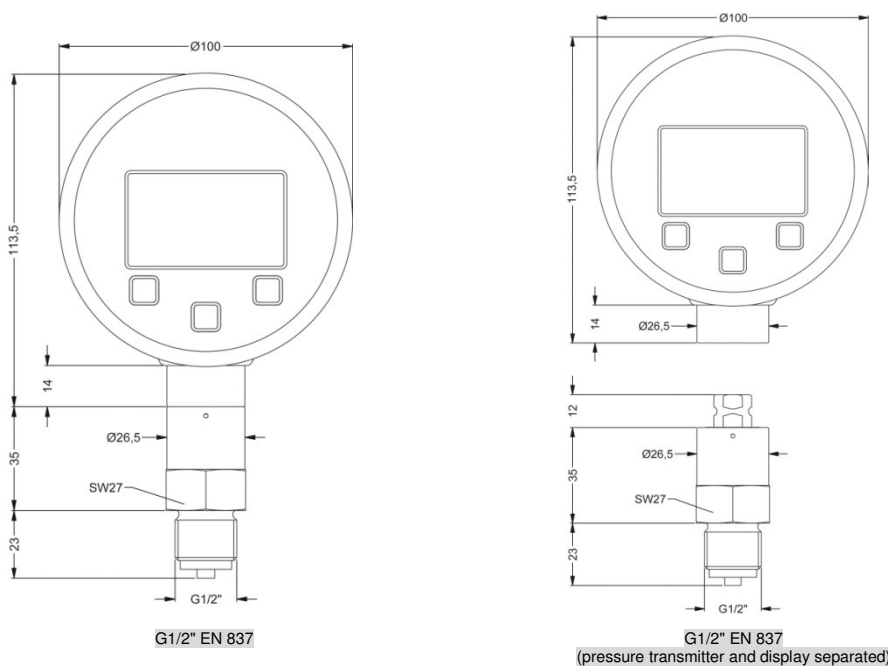


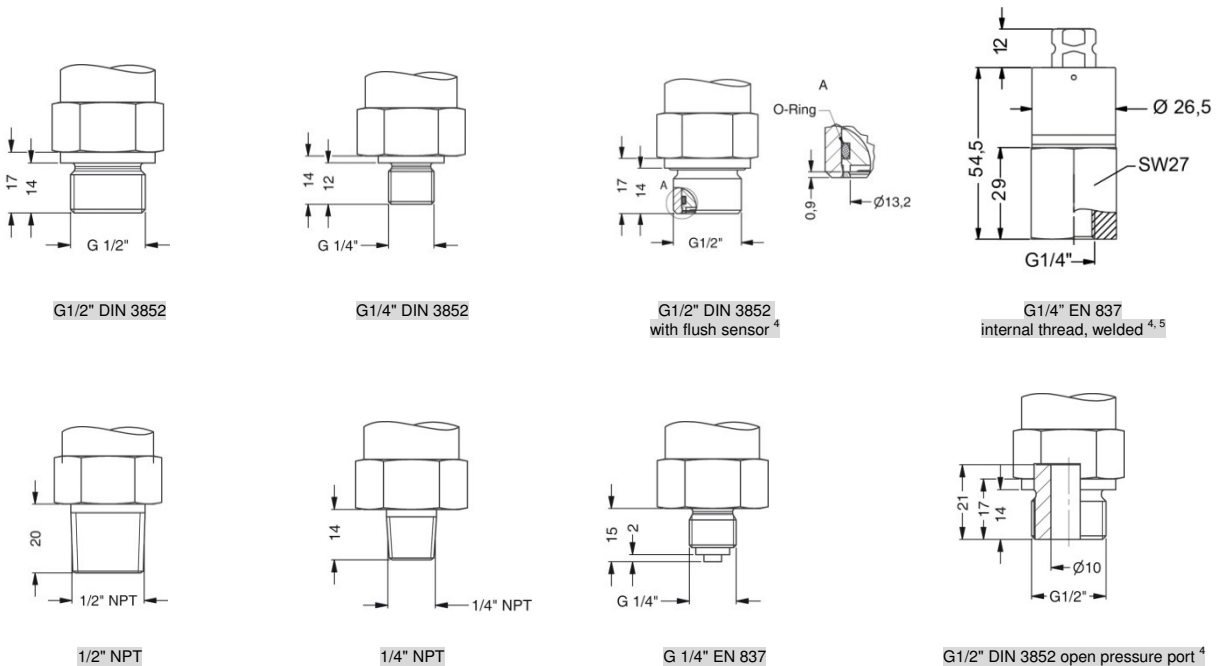
Tryckområden													
Tryckområde a e	[bar]	-1...0	0.10	0.16	0.25	0.40	0.60	1	1.6	2.5	4	6	
abs.	[bar]	-	-	-	-	0.40	0.60	1	1.6	2.5	4	6	
	[bar]	5	1	1	1	2	5	5	10	10	17.5	35	
$P_N \geq$	[bar]	7.5	1.5	1.5	1.5	3	7.5	7.5	15	15	25	50	
gauge / abs.	[bar]	10	16	25	40	60	100	160	250	400			
	[bar]	35	80	80	105	210	600	600	1000	1000			
$P_N \geq$	[bar]	50	120	120	210	420	1000	1000	1250	1250			
		$P_N \geq 1$ bar:					$P_N < 1$ bar:						
Prestanda													
D		standard fl $P_N \geq 0.4$ bar: $\leq \pm 0.05$ % standard ff $P_N < 0.4$ bar: $\leq \pm 0.125$ %											
L		± 0.1 % FSO / Referen											
	Display	1 2											
¹ noggrannhet enligt IEC 60770 – minimivärde inställning (icke linjäritet, hysteres, repeterbarhet - vid rumstemperatur 20°C)													
Thermal effects (Offset and Span)													
Temperature error		for nominal pressure ranges $P_N \leq 160$ bar: tolerance band $\leq \pm 0.2$ % FSO for nominal pressure ranges $P_N > 160$ bar: tolerance band $\leq \pm 0.75$ % FSO											
compensated range		0 ... 50 °C											
Permissible temperatures													
Permissible temperatures		medium: -10 ... 55 °C environment: -10 ... 55 °C storage: -20 ... 70 °C											
Materials													
Pressure port / housing		stainless steel 1.4404 (316L)											
Display housing		stainless steel 1.4301 (304)											
Seals (media wetted)		FKM, without (welded version)											
Diaphragm		Stainless steel 1.4435 (316L)											
Media wetted parts		pressure port, seal, diaphragm											
Explosion protection													
AX16-DM01		IBExU12ATEX1108 X zone 1: II 2G Ex ia IIC T4 Gb											
Miscellaneous													
Display		graphic LC display: visible area 55 x 46 mm; (resolution 128x64) figure height 5.5 mm (displaying of pressure value) measured value display: max. 7 digits, depending on pressure range temperature display, time, 100-segment-bargraph, potential input value background illumination: illumination period and intensity adjustable											
Temperature display range		accuracy: ± 2 K resolution: 0,1 K display: -10 ... 55 °C											
adjustable units		[bar], [mbar], [psi], [inHg], [cmHg], [mmHg], [hPa], [kPa], [Mpa], [mH ₂ O], [mmH ₂ O], [inH ₂ O], [kg/cm ²]											
Data logger		recording pressure values and sensor temperature (min, hrs, daily at a defined time) max. 8500 values modes: cyclic, linear measuring value interval adjustable											
Current consumption		without background illumination: approx. 1,3 mA with background illumination: approx. 16 mA (depending on adjusted intensity) standby mode: approx. 1,2 μ A											
Supply		3x 1,5 V: Duracell Plus battery, DUR087033, AA (LR6)											
Ingress protection		IP 67											
Mounting position ²		any											
Weight		approx. 680 g											
A / D-converter resolution		16 bit											
Battery life		standard use: > 2.000 h						standby mode: at least 5 years					
Load cycles		> 100 x 10 ⁶											
CE-conformity		EMC directive: 2014/30/EU pressure equipment directive: 2014/68/EU (Module A) ³ electromagnetic compatibility: according to EN 61326											
² Pressure transmitters are calibrated in a vertical position with the pressure connection down. If this position is changed on installation there can be slight deviations in the zero point for pressure ranges $P_N \leq 1$ bar.													
³ This directive is only valid for devices with maximum permissible overpressure > 200 bar.													

Dimensions (in mm)

standard



option



⇒ metrical threads and other variations on request

⁴ only possible for nominal pressure ranges $P_N \leq 40$ bar

⁵ different connection versions with optional adapters possible (see accessories)

Further pressure sensor modules can be combined to the advertisement unity DM01-A21 and DM01-A2E. a overview of available pressure sensor modules and characteristics you will find in the following matrix:

Pressure sensor module						
Name	Pressure range	Filling fluid	diaphragm	accuracy	Special feature	further information
M0	0...0,1 bar up to 0...400 bar	silicone oil	stainless steel 1.4435	0,05% FSO	very high precision	Data sheet M0
M4	0...6 bar up to 0...600 bar	none; welded version	stainless steel 1.4542	0,25% FSO	i.a. for oxygen; oil and grease free	Data sheet M4
M7	0...0,1 bar up to 0...10 bar	none	ceramic 96%	0,15% FSO	High overpressure	Data sheet M7

Accessories

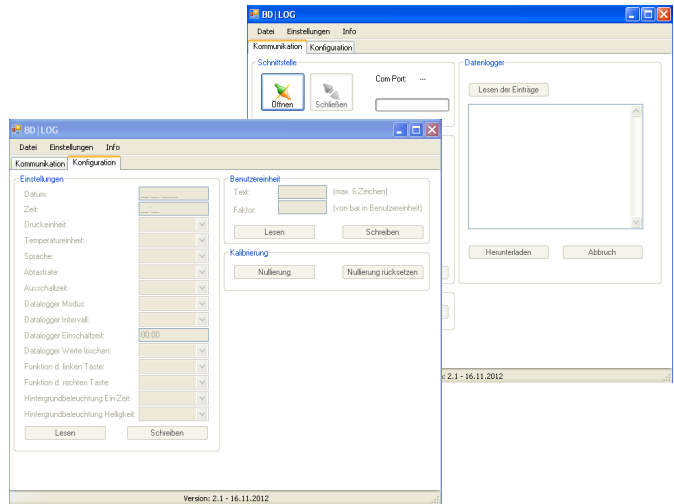
Accessories are not in scope of supply and have to be ordered separately!

BD|LOG software

Optionally software BD|LOG and an interface cable can be ordered. The software is also available for download on our homepage.

Software:

- display of device information (serial number, pressure and temperature range,...)
- configuration area for all parameters
- download area for recorded data:
 - date
 - pressure measurement
 - temperature measurement
- actual value



Interface cable with integrated USB converter
L: 1.7 m

Ordering number: ZUSBCD01

Adapter for pressure port G 1/4" EN 837 internal thread, welded



<p>G 1/4" EN 837</p> <p>Ordering number: Z5010203</p>	<p>Adapter for pressure sensor module with pressure port G 1/4" EN 837 internal thread, welded</p> <p>external thread: G 1/4" EN 837 external thread: G 1/4" EN 837</p>	<p>1/4" NPT</p> <p>Ordering number: Z5010204</p>	<p>Adapter for pressure sensor module with pressure port G 1/4" EN 837 internal thread, welded</p> <p>external thread: G 1/4" EN 837 external thread: 1/4" NPT</p>
<p>G 1/2" EN 837</p> <p>Ordering number: Z5010202</p>	<p>Adapter for pressure sensor module with pressure port G 1/4" EN 837 internal thread, welded</p> <p>external thread: G 1/4" EN 837 external thread: G 1/2" EN 837</p>	<p>1/2" NPT</p> <p>Ordering number: Z5010205</p>	<p>Adapter for pressure sensor module with pressure port G 1/4" EN 837 internal thread, welded</p> <p>external thread: G 1/4" EN 837 external thread: 1/2" NPT</p>

* others on request

DM01

Precision Digital Gauge

Accessories

<p>Hard-shell service case without accessories</p> <p>Service_Case_DM01</p>		<p>Hard shell case.</p> <p>Dimension in mm (L x W x H): 432 X 363 X 138</p>
<p>Protective cap</p> <p>Ordering number: Z1002648</p>		<p>Rubber protection</p>
<p>Additional batteries (only in combination with service case)</p>		<p>for IS-version use only</p> <ul style="list-style-type: none"> 3 x 1.5 V / AA Duracell Power Plus
<p>Seal set (only in combination with service case)</p>		<p>Flat seal copper for mechanical connections according to EN 837</p>
<p>PTFE seal tape Nr. 498.505 (only in combination with service case)</p>		<p>Seal tape for mechanical connections material: PTFE (Teflon) Temperature range: -200 ... 280 °C</p>
<p>Wrench (only in combination with service case)</p>		<p>Wrench SW 27</p>
<p>Calibration test pump KHP 35</p> <p>Ordering number: 1002637</p>		<p>The KHP 35 calibration test pump is used to generate pressure and vacuum for checking, adjusting and calibrating mechanical and electronic pressure measuring instruments by comparative measurements. These pressure tests may be carried out in laboratories, workshop or on site at the measuring point.</p> <p>pressure: 0 ... 35 bar vacuum: 0 ... -0,95 bar weight: ca. 510 g dimension: ca. 220 x 105 x 63 mm</p>
<p>Adapter for calibration test pump</p>		
<p>Test unit connection:</p> <p>Adapter to connect the test unit to the calibration test pump.</p>		<p>Adapter to connect the test unit to the calibration test pump.</p> <p>external thread: G 1/4" EN 837</p> <p>to:</p> <p>internal thread: G 1/4" DIN 3852 (No. 5008909) or G 1/2" EN o. DIN (No. 5007896) or 1/4" NPT (No. 5007897) or 1/2" NPT (No. 5007898)</p> <p>others on request</p>
<p>Reference unit connection:</p> <p>Adapter to connect the digital gauge to the calibration test pump</p>		<p>Adapter to connect the pressure sensor module DM01 to the calibration test pump.</p> <p>external thread: G 1/2" EN 837</p> <p>to:</p> <p>internal thread: G 1/4" DIN 3852 (No. 5012498) or G 1/2" DIN 3852 (No. 5012519) or 1/4" NPT (No. 5012499) or 1/2" NPT (No. 5012500)</p> <p>others on request</p>

© 2017 BDJSENSORS GmbH – The specifications given in this document represent the state of engineering at the time of publishing. We reserve the right to make modifications to the specifications and materials.

Ordering code DM01

1. position: digital display for Precision Digital Pressure Gauge DM01

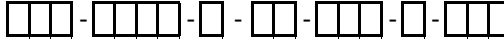
DM01-



Digital pressure gauge DM01	A	2	1
with communication interface	A	2	E
IS with communication interface	A	2	E

2. position: transmitter for Precision Digital Pressure Gauge DM01

DM01



Pressure			
gauge	M	0	K
absolute	M	0	L
Input			
[bar]			
0.10	1	0	0
0.16	1	6	0
0.25	2	5	0
0.40	4	0	0
0.60	6	0	0
1.0	1	0	0
1.6	1	6	0
2.5	2	5	0
4.0	4	0	0
6.0	6	0	0
10	1	0	0
16	1	6	0
25	2	5	0
40	4	0	0
60	6	0	0
100	1	0	0
160	1	6	0
250	2	5	0
400	4	0	0
-1 ... 0	X	1	0
customer	9	9	9
Version			
non IS			0
IS			E
Accuracy			
standard for $P_N \geq 0.4$ bar	0.05%	B	1
standard for $P_N < 0.4$ bar	0.125%	B	2
customer		9	9
Mechanical connection			
G1/2" DIN 3852		1	0
G1/2" EN 837		2	0
G1/4" DIN 3852		3	0
G1/4" EN 837		4	0
G1/2" DIN 3852 with flush sensor ²		F	0
G1/2" DIN 3852 open pressure port ²		H	0
1/2" NPT		N	0
1/4" NPT		N	4
G 1/4" EN837 internal thread, welded ^{2,3}		J	0
customer		9	9
Seals			
FKM			1
customer			9
Special version			
standard			0
customer			9

¹ absolute pressure possible from 0.4 bar

² only possible for $P_N \leq 40$ bar

³ different connection versions with optional adapters possible (see accessories)

ordering example:

device DM01:

position 1: DM 01-A21

position 2: M0K-1001-B1-200-1-000

only display: position 1: DM01-A21

only transmitter: position 2: M0K-1001-B1-200-1-000

Accessories DM01

Accessories		
USB converter (incl. software BD LOG)		ZUSBCD01
service case (without accessories)		Service_Case_DM01
Protective cap		Z1002648
Additional batteries (3 x 1,5 V / AA Duracell Power Plus) ⁴		1002798
Seal set ⁴		5008886
PTFE seal tape ⁴		1002724
wrench ⁴		1002722
Calibration test pump (KHP)		1002637
Adapter for DM01		
G1/4" EN 837 male - G1/4" EN 837 male		Z5010203
G1/4" EN 837 male - G1/2" EN 837 male		Z5010202
G1/4" EN 837 male - 1/4" NPT male		Z5010204
G1/4" EN 837 male - 1/2" NPT male		Z5010205
Adapter for KHP - test unit connection		
G1/4" EN 837 m - G1/4" DIN3852 fm		5008909
G1/4" EN 837 m - G1/2" EN 837/DIN3852 fm		5007896
G1/4" EN 837 m - 1/4" NPT fm		5007897
G1/4" EN 837 m - 1/2" NPT fm		5007898
Adapter for KHP - reference unit connection		
G1/2" EN 837 m - G1/4" DIN3852 fm		5012498
G1/2" EN 837 m - G1/2" DIN3852 fm		5012519
G1/2" EN 837 m - 1/4" NPT fm		5012499
G1/2" EN 837 m - 1/2" NPT fm		5012500

⁴ only in combination with service case

03.04.2017

© 2017 BD|SENSORS GmbH - The specifications given in this document represent the state of engineering at the time of publishing. We reserve the right to make modifications to the specifications and materials.