



# PA 440

## Field Display for current loop with Contacts

### Functional range

- ▶ free scalable display
- ▶ switch mode, hysteresis, parameterizable deceleration of the contacts
- ▶ no external power supply necessary

### Product characteristics

- ▶ field display for pressure transmitter with output signal: 4 ... 20 mA / 2-wire or 0 ... 10 V / 3-wire
- ▶ 4-digit LCD display
- ▶ plastic housing
- ▶ pressure compensation element with PTFE-Filter

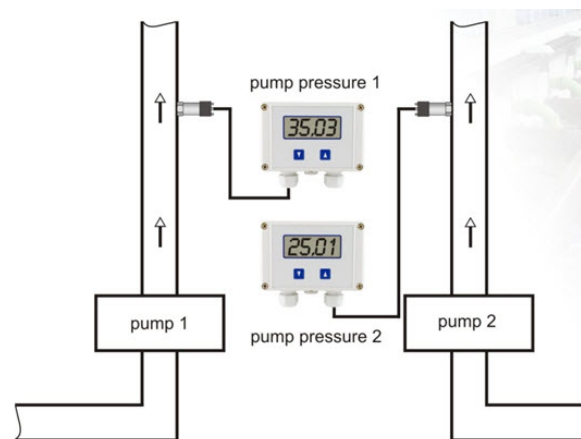
### Optional versions

- ▶ IS-version
- ▶ 2 contacts
- ▶ 4-digit LED display

### Typical application



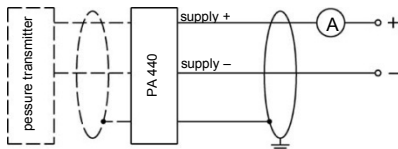
in situ display at pumping stations



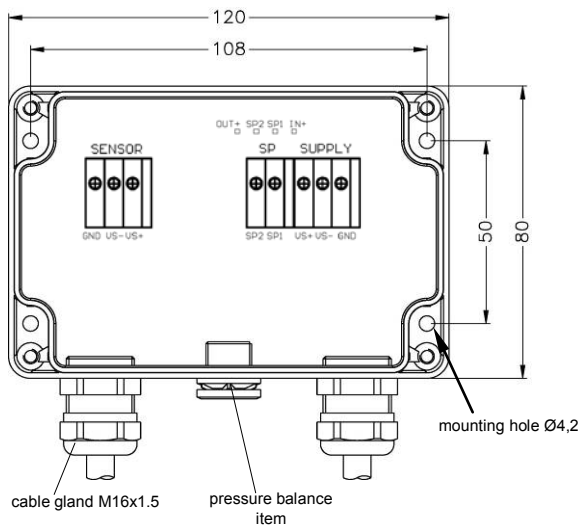


<b>Analogue signal</b>	
Standard	2-wire: 4 ... 20 mA
Option IS-version	2-wire: 4 ... 20 mA
Option 3-wire	0 ... 10 V (in preparation)
Accuracy	$\leq \pm 0.1\%$ FSO $\pm 1$ digit
<b>Supply</b>	
2-wire system	supplied by current loop; voltage drop $\leq 6.5$ V IS version: max. 28 V <sub>DC</sub> (for combination with transmitter and PA 440)
3-wire system	display is supplied parallel with transmitter; V <sub>S</sub> = 8 V <sub>DC</sub> ... 36 V <sub>DC</sub>
<b>Contact</b>	
Number, type	2 independent PNP open collector contacts
Switching performance	contact rating max. 125 mA, short-circuit resistant
Switching frequency	max. 8/sec
Delay time	0 ... 100 sec
<b>Miscellaneous</b>	
Electrical protection	reverse polarity protection (no damage, but also no function); electromagnetic compatibility (emission and immunity according to EN 61326); short-circuit protection
Ingress protection	IP 65
Display	4-digit, 7-segment LC display, range of indication -1999 ... 9999; accuracy 0.2 % $\pm 1$ digit; standard: LC display, digit height 18 mm      option: LED display, digit height 10 mm, red
Permissible temperatures	electronics / environment / storage: -20 ... 70 °C
Material display housing	plastic ABS, grey
Cable entries	cable gland M16x1.5 Polyamide, seals NBR, diameter range: standard 5 ... 10 mm
Atmospheric pressure compensation	pressure compensation element with PTFE filter
Terminal clamps	vertical clamps for stranded and solid wires up to 2.5 mm <sup>2</sup>
Dimensions (height x width x depth)	80 mm x 120 mm x 57 mm
Weight	approx. 220 g
<b>IS protection (optionally)</b>	
Approval AX15-PA 440	IBExU08ATEX1126 X      zone 1: II 2G Ex ia IIB T4 Gb
Safety technical maximum values	U <sub>i</sub> = 28 V <sub>DC</sub> , I <sub>i</sub> = 93 mA, P <sub>i</sub> = 660 mW, C <sub>i</sub> = 0 nF, L <sub>i</sub> = 0 $\mu$ H
Ambient temperature range	from -20 °C to +70 °C

#### Wiring diagram



#### Dimensions (in mm)



© 2014 BDI/SENSORS GmbH – The specifications given in this document represent the state of engineering at the time of publishing. We reserve the right to make modifications to the specifications and materials.



## Ordering code PA 440

PA 440

□□□-□-□-□-□-□-□-□□□

<b>Standard version</b>																				
			8	5	1															
<b>Analogue output</b>																				
	4 ... 20 mA / 2-wire					1														
	Intrinsic safety for zone 1 / 4 ... 20 mA / 2-wire					E														
	customer					9														consult
<b>Contact</b>																				
	without contact					0														
	2 contacts <sup>1</sup>					2														
<b>Unit</b>																				
	without <sup>2</sup>					0														
	bar					1														
	mbar					2														
	mH <sub>2</sub> O					3														
	%					P														
	mA					A														
	customer					9														consult
<b>Label on display</b>																				
	standard					1														
	neutral					N														
	customer					9														consult
<b>Display</b>																				
	LC display								C											
	LED display								D											
<b>Housing material</b>																				
	plastic ABS									G										
<b>Special version</b>																				
	standard										0	0	0							
	overvoltage protection <sup>3</sup>										1	0	1							
	customer										9	9	9							consult

<sup>1</sup> only possible in combination with LED display

<sup>2</sup> the unit signs are loose-settled

<sup>3</sup> not possible for Ex-version