



CIT 650

Multichannel Process Display with Datalogger and Contacts

Functional range

- ▶ direct storing of measured values onto USB memory stick or internal memory
- ▶ data and configuration transfer via USB memory stick or RS-485
- ▶ sampling rate from 1 sec up to 1 h
- ▶ triggering of logging via digital input
- ▶ parameterizable alarms for exceeded input range
- ▶ adjustable contrast and brightness of the display
- ▶ software for parameterization and archiving of measured values

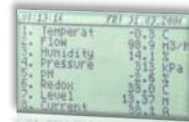
Product characteristics

- ▶ 1, 4 or 8 analogue input channels
- ▶ input signal: 0/4 ... 20 mA
- ▶ 2 contacts
- ▶ graphic LC display
- ▶ transducer power supply 24 V_{DC}
- ▶ communication interface RS-485 (Modbus RTU)
- ▶ front panel housing 96 x 96 mm

Optional versions

- ▶ input signal Pt100/Pt500/Pt1000
- ▶ USB-Host-Port
- ▶ Wall mounted housing 166 x 161 mm

Display modes



- ▶ simultaneous display of max. 8 channels with scaled value and unit or standardized value and bargraph



- ▶ chart display of one channel with scaled value, bargraph and unit (timeline from 12 sec up to 96 h)



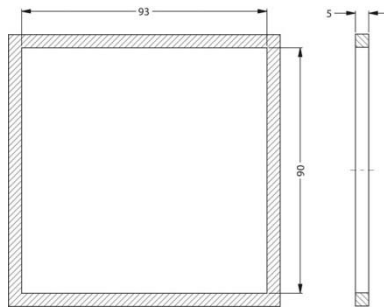
- ▶ single channel display with scaled value, standardized value, bargraph and unit



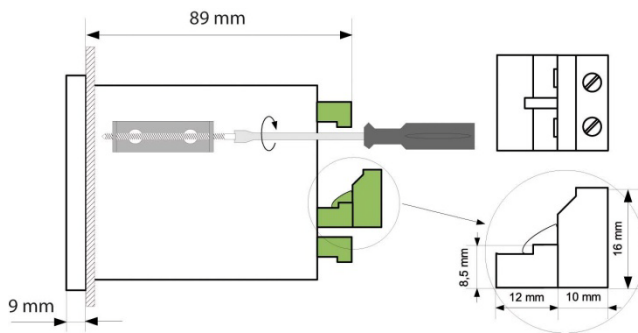
Supply		
Supply voltage	standard: 85 ... 260 V _{AC} or V _{DC}	option: 19 ... 50 V _{DC} / 16 ... 35 V _{AC}
Power consumption	7 VA, max. 12 VA	
Signal input		
Number	1, 4 or 8 inputs ¹	
Input signal	standard: 0/4 ... 20 mA	option: PT100 / PT500 / PT1000
Measuring range	current inputs: ± 9999	temperature inputs: -100 ... 600 °C
Digital	1 input 24 V _{DC} (galvanically separated)	
¹ Inputs with common ground		
Transmitter supply		
DC (without galv. separation)	current inputs: 24 V _{DC} ± 5%, max. 200 mA	temperature inputs: none
Contacts		
Contact	2 independent relay outputs	
Switching voltage	Front panel housing: max. 24 V _{AC}	wall mounted housing: 250 V _{AC}
Switching current	Front panel housing: max. 200 mA (cos φ 1)	wall mounted housing: max. 1 A (cos φ 1)
Communication / Performance		
Communication interface	RS-485 (Modbus RTU)	option: USB-Port
Transmission speed	1200 - 115200 bit/sec.	
Internal memory	2 MB (without USB-Port, 0.5 m. data)	option: 8 MB (with USB-port, 8 m. data)
Type of protection		
Front panel housing	IP 65 (front foil), IP 20 (connectors)	option: IP 40 (front foil, with USB-Port)
Wall mounted housing	IP 65	
Permissible temperatures		
Operating temperature	Front panel housing: 0 ... 60 °C	Wall mounted housing: 0 ... 50 °C
Storage temperature	-10 ... 70 °C	
Electrical protection		
Electrical safety / EMC	EN 61010-1 / EN 61326	
Miscellaneous		
Display	LCD, 128 x 64 points, with backlight	
Accuracy (25 °C)	± 0.1 % FSO	Stability: 0,05 % / 10 K
Housing dimensions	Front panel housing: 96 x 96 x 100 mm	Wall mounted housing: 166 x 161 x 93 mm
Housing material	Front panel housing: NORYL-GFN2S E1	Wandgehäuse: ABS, PC

Mechanical connection (dimensions in mm)

Front panel housing

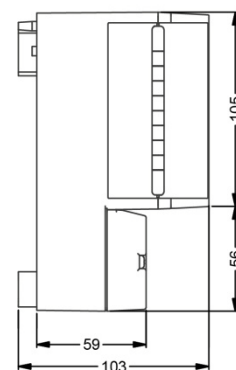
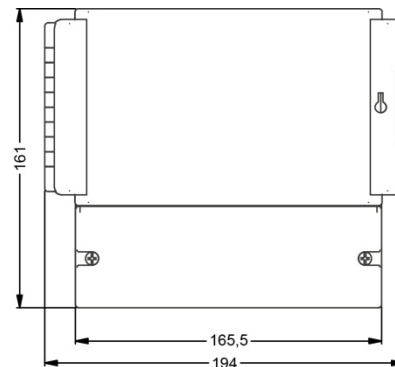



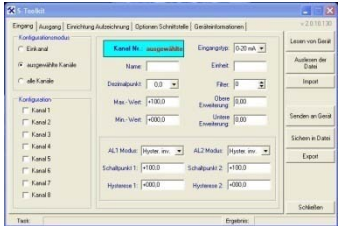



Mounting hole dimensions



dimensions of brackets and connectors

Wall mounted housing



Software (in scope of supply)		
<p>Software LoggySoft</p>	 <p style="text-align: center;">LoggySoft</p>  <p style="text-align: center;">S-Toolkit</p>	<p>LoggySoft Program for display (table or chart), archiving, evaluation and export from stored data of CIT 650. The data are imported via USB memory stick or via RS-485 interface. Export of the data is in TXT format. This software is included in scope of supply.</p> <p>S-Toolkit Program for the complete configuration of CIT 650. The data are imported via USB memory stick or via RS-485 interface. This software is included in scope of supply.</p>
Accessories		
<p>Lockable, transparent door</p>	 <p style="text-align: center;">material number Z900002</p>	<p>Prevents damage of display and increases access protection.</p>
<p>Mini USB Stick 8 GB</p>	 <p style="text-align: center;">material number Z900024</p>	<p>Enables data and configuration transfer between PC and CIT 650 (even with mounted front door).</p>
<p>Converter RS-485 / USB</p>	 <p style="text-align: center;">material number CM-3</p>	<p>Enables connection of CIT 650 and PC with USB interface.</p>

© 2016 BD|SENSORS GmbH – The specifications given in this document represent the state of engineering at the time of publishing. We reserve the right to make modifications to the specifications and materials.

