



CIT 350

Process Display with Contacts and Analogue Output

Functional range

- ▶ extended bargraph settings
- ▶ free scalable display
- ▶ four characteristic curve functions selectable (linear, root, square function or max. 20 free selectable points)
- ▶ switch mode, hysteresis, parameterizable deceleration of relay outputs
- ▶ display brightness and filter adjustable
- ▶ adjustable analogue output 0/4 ... 20 mA
- ▶ acoustic signal


Product characteristics

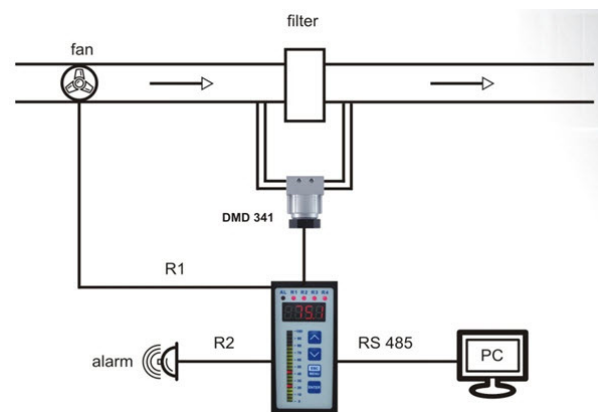
- ▶ input signal:
0/4 ... 20 mA, 0/1 ... 5 V, 0/2 ... 10 V
- ▶ 4-digit LED display
- ▶ 20-segment bargraph
- ▶ transducer supply 24 V_{DC}
- ▶ communication interface
RS485 (Modbus RTU)
- ▶ front panel housing 48 x 96 mm

Optional versions

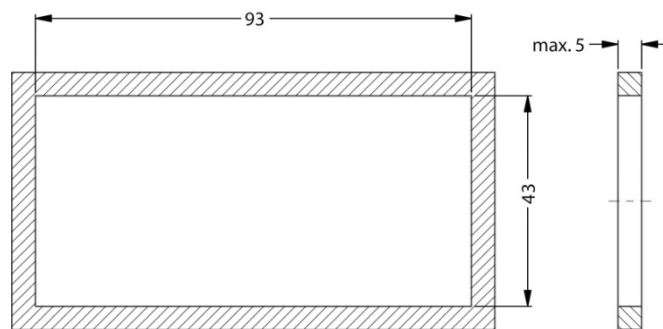
- ▶ 2 or 4 contacts, analogue output

Typical application

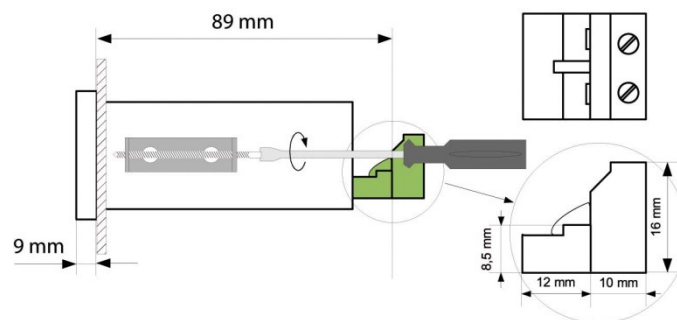
-  filter controlling



Supply		
Supply voltage	standard: 85 ... 260 V _{AC} or V _{DC}	option: 16 ... 35 V _{AC} / 19 ... 50 V _{DC}
Power consumption	max. 4.5 VA or W	
Signal input		
Input signal	0/4 ... 20 mA, 0/1 ... 5 V, 0/2 ... 10 V	
Contacts (optional)		
Contact	2 or 4 SPST-relay	
Switching voltage	max. 250 V _{AC}	
Switching current	max. 1 A (cos φ 1)	
Analogue output (optional)		
Output signal	0/4 ... 20 mA (only possible in combination with 2 contacts)	
Permissible load	max. 700 Ω	
Transducer supply		
DC	24 V _{DC} + 5%, - 10%, max. 100 mA	
Communication / Performance		
Communication interface	RS485 (Modbus RTU)	
Transmission speed	1 200 – 115 200 bit/sec.	
Permissible temperatures		
Operating temperature	0 ... 50 °C	
Storage temperature	-10 ... 70 °C	
Electrical protection		
Electrical safety	EN 61010-1	
EMC	EN 61326	
Miscellaneous		
Ingress protection	IP 65 (front foil), IP 20 (housing, connectors)	
Display	4-digit LED display, red, 4 x 9 mm; multicolour 20-segment bargraph	
Range of indication	- 999 ... 9999 + decimal point	
Accuracy (25 °C)	± 0.1 % FSO	tolerance band (0 ... 50 °C): max. 0.25 % FSO
Housing dimensions	48 x 96 x 98 mm	
Housing	panel	
Housing material	NORYL-GFN2S E1	
Weight	approx. 400 g	
CE-conformity	EMC Directive: 2014/30/EU	
Dimensions (in mm)		



mounting hole dimensions



dimensions of brackets and connectors

Ordering code CIT 350

CIT 350 - - - - -

Input type	0/4 ... 20 mA, 0/1 ... 5 V, 0/2 ... 10 V	1				
Output	without	0				
	2 SPST relay	2				
	4 SPST relay	4				
	2 relay outputs + analogue output	5				
Supply	85 ... 260 V _{AC} / V _{DC}	1				
	16 ... 35 V _{AC} / 19 ... 50 V _{DC}	2				
Display foil	neutral		1	0	0	
	customer		9	9	9	consult
Special version	standard			0	0	0
	customer			9	9	9
						consult

01.06.2013 © 2013 BDI/SENSORS GmbH - The specifications given in this document represent the state of engineering at the time of publishing. We reserve the right to make modifications to the specifications and materials.