



# CIT 250

## Process Display with Contacts



### Functional range

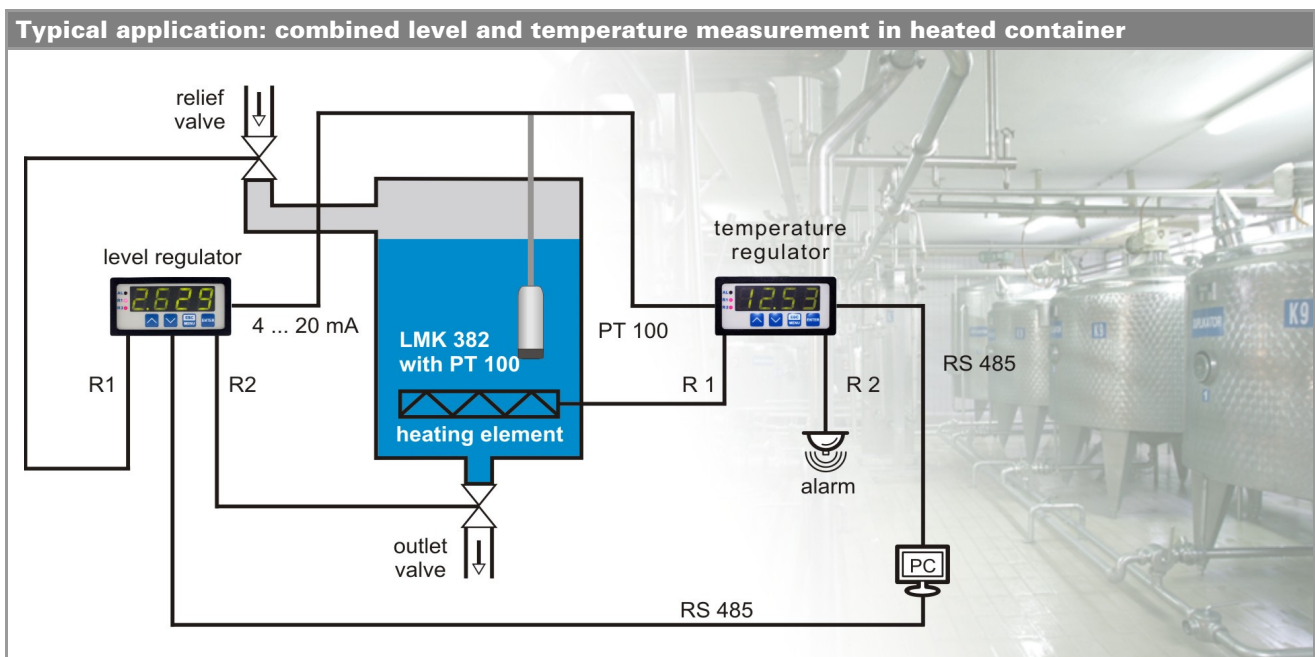
- ▶ free scalable display
- ▶ 4 characteristic curve functions selectable (linear, root, square function or max. 20 free selectable supporting points)
- ▶ switch mode, hysteresis, parameterizable deceleration of relay outputs
- ▶ display brightness and filter adjustable

### Product characteristics

- ▶ input signal: 0/4 ... 20 mA, 0/1 ... 5 V, 0/2 ... 10 V
- ▶ 4-digit LED display
- ▶ transducer supply 24 V<sub>DC</sub>
- ▶ communication interface RS-485 Modbus
- ▶ front panel housing 72 x 36 mm

### Optional versions

- ▶ input signal PT100 / PT500 / PT1000
- ▶ 1 or 2 contacts



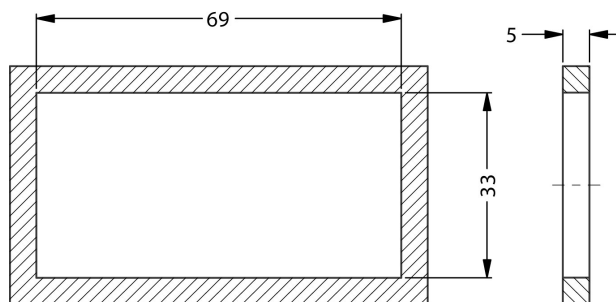


# CIT 250

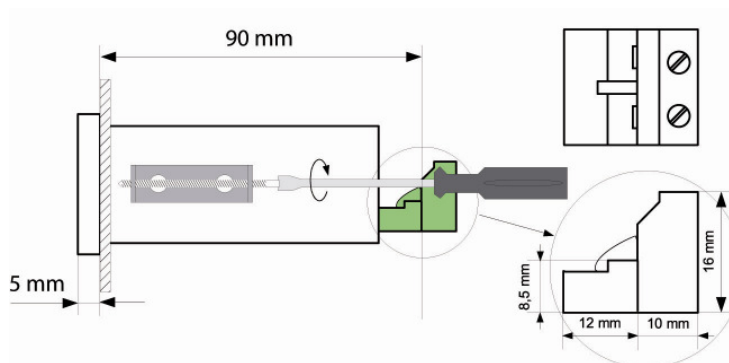
Process Display

Technical Data

<b>Supply</b>		
Supply voltage	standard: 85 ... 260 V <sub>AC</sub> or V <sub>DC</sub>	option: 16 ... 35 V <sub>AC</sub> / 19 ... 50 V <sub>DC</sub>
Power consumption	max. 4.5 VA or W	
<b>Signal input</b>		
Input signal	standard: 0/4 ... 20 mA, 0/1 ... 5 V, 0/2 ... 10 V option: PT100 / PT500 / PT1000	
<b>Contacts (optional)</b>		
Contact	1 or 2 SPST-relay	
Switching voltage	max. 250 V <sub>AC</sub>	
Switching current	max. 1 A (cos φ 1)	
<b>Transducer supply</b>		
DC	24 V <sub>DC</sub> + 5%, - 10%, max. 100 mA	
<b>Communication / Performance</b>		
Communication interface	RS-485 (Modbus RTU)	
Transmission speed	1200 - 115200 bit/sec.	
<b>Permissible temperatures</b>		
Operating temperature	0 ... 50 °C	
Storage temperature	-10 ... 70 °C	
<b>Electrical protection</b>		
Electrical safety	EN 61010-1	
EMC	EN 61326	
<b>Miscellaneous</b>		
Type of protection	IP 65 (front foil)	
Display	4-digit LED display, red / green, 4 x 13 mm	
Range of indication	- 999 ... 9999 + decimal point / temperature range: -100 ... 600 °C	
Accuracy (25 °C)	± 0.1 % FSO	tolerance band (0 ... 50 °C): max. 0.25 % FSO
Housing dimensions	72 x 36 x 95 mm	
Housing	panel	
Housing material	NORYL-GFN2S E1	
CE-conformity	EMC Directive: 2004/108/WE	
<b>Dimensions (in mm)</b>		



mounting hole dimensions



dimensions of brackets and connectors



## Ordering code CIT 250

**CIT 250** -  -  -  -  -

Input type						
0/4 ... 20 mA, 0/1 ... 5 V, 0/2 ... 10 V	1					
PT100, PT500, PT1000	2					
Output						
without	0					
1 SPST relay	1					
2 SPST relay	2					
Supply						
85 ... 260 V <sub>AC</sub> / V <sub>DC</sub>	1					
16 ... 35 V <sub>AC</sub> / 19 ... 50 V <sub>DC</sub>	2					
Display foil						
neutral		1	0	0		
customer		9	9	9		consult
Special version						
standard				0	0	0
customer				9	9	9
						consult