



CIT 200

Process Display



Functional range

- ▶ free scalable display
- ▶ 4 characteristic curve functions selectable (linear, root, square function or max. 20 free selectable supporting points)
- ▶ display brightness and filter adjustable
- ▶ programming via infrared remote control

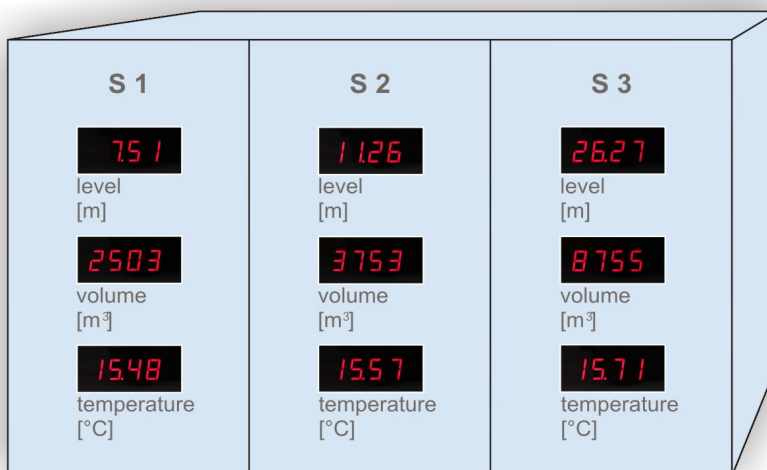
Product characteristics

- ▶ input signal: 0/4 ... 20 mA, 0/1 ... 5 V, 0/2 ... 10 V
- ▶ 4-digit LED display
- ▶ communication interface RS-485 (Modbus RTU)
- ▶ front panel housing 72 x 36 mm

Optional versions

- ▶ input signal PT100 / PT500 / PT1000

Typical application: display panel for silo battery



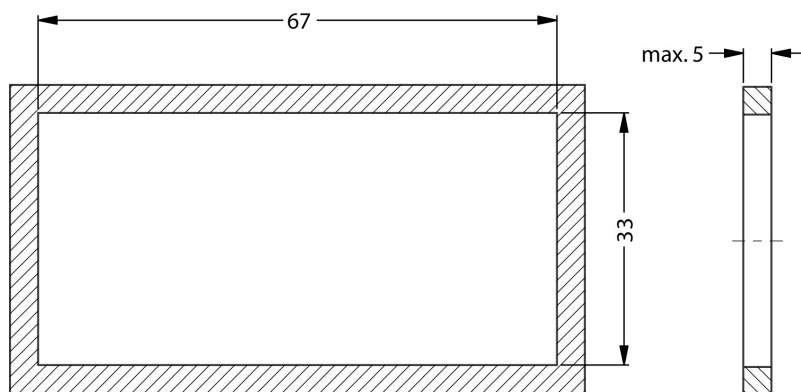


CIT 200

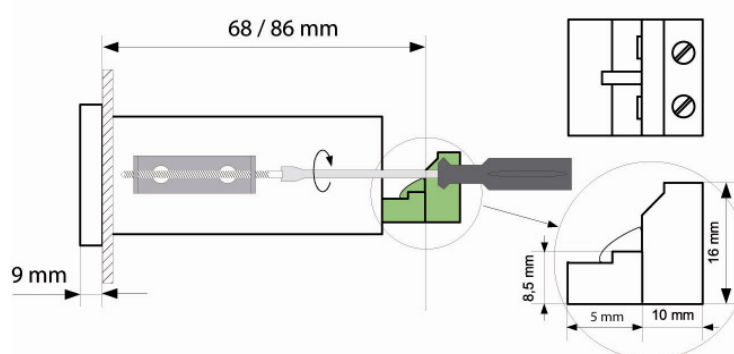
Process Display

Technical Data

Supply		
Supply voltage	standard: 10 ... 30 V _{DC}	option: 110V _{AC} / 230 V _{AC} ± 10 %
Power consumption	24 V _{DC} version: max. 1 W 110 V _{AC} / 230 V _{AC} version: max. 1.5 VA	
Signal input		
Input signal	standard: 0/4 ... 20 mA, 0/1 ... 5 V, 0/2 ... 10 V option: PT100 / PT500 / PT1000	
Communication / Performance		
Communication interface	RS-485 (Modbus RTU)	
Transmission speed	1200 - 115200 bit/sec.	
Type of protection		
Display	IP 40 (front side)	
Permissible temperatures		
Operating temperature	0 ... 50 °C	
Storage temperature	-10 ... 70 °C	
Electrical Protection		
Electrical safety	EN 61010-1	
EMC	EN 61326	
Miscellaneous		
Display	4-digit LED display, red, 4 x 13 mm	
Range of indication	- 999 ... 9999 + decimal point / temperature range: -100 ... 600 °C	
Accuracy (25 °C)	± 0.1 % FSO	tolerance band (0 ... 50 °C): max. 0.25 % FSO
Housing dimensions	24 V _{DC} version: 72 x 36 x 77 mm 110V _{AC} / 230 V _{AC} version: 72 x 36 x 95 mm	
Housing	panel	
Housing material	NORYL UL94V-0	
CE-conformity	EMC Directive: 2004/108/WE	
Dimensions (in mm)		



mounting hole dimensions



dimensions of brackets and connectors



Ordering code CIT 200

CIT 200 - - - -

Input type			
0/4 ... 20 mA, 0/1 ... 5 V, 0/2 ... 10 V	1		
PT100, PT500, PT1000	2		
Supply			
10 ... 30 V _{DC}	1		
230 V _{AC}	2		
110 V _{AC}	3		
Display caption			
neutral		1 0 0	
customer		9 9 9	consult
Special version			
standard		0 0 0	
customer		9 9 9	consult