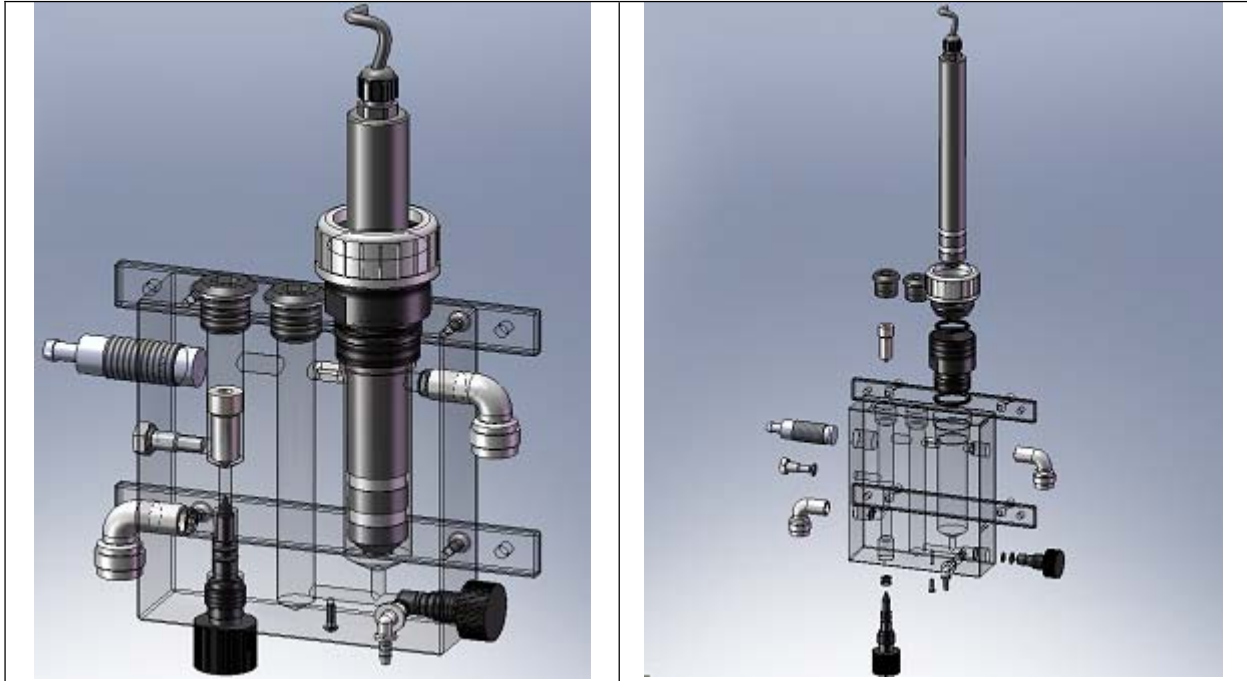




S305PX494

Down flow probe holder



Technical features

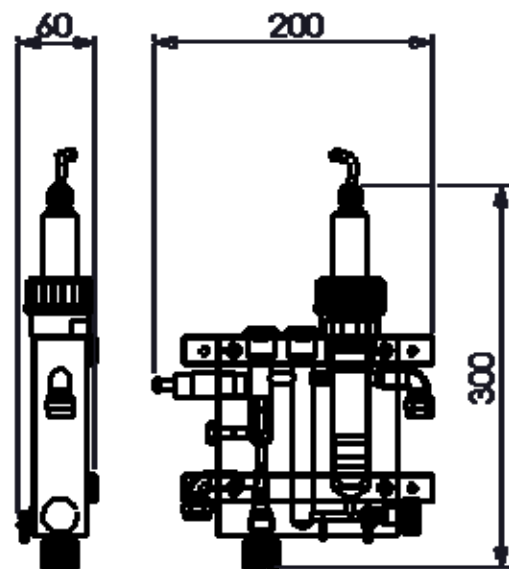
Materials :

- Body and brackets made of plexiglass
- Connections and tap made of PVC
- Floating system made of SS
- O-Ring made of NBR

Max working temperature: 60°C

Max working pressure: 4 bar

Dimension



Temperature sensor (optional)

