

CONVERTER CH608

A/B/R/P/I

Electromagnetic flowmeter



The Hybrid electronic converter for all applications

CONVERTER

CH608

Electromagnetic
flowmeter

The CH608 converter has been designed with the purpose of meeting all the requirements of modern water management systems through a flexible and hybrid electronic, mains powered, battery powered, or both.

Available in:

CH608A: mains powered version 12/24 Vac-dc or 90/264 Vac – Aluminum case;

CH608B: battery powered with a useful life of 6 years and 12/24 Vac-dc input (max DN600 with full bore units) – Aluminum case;

CH608R: rechargeable battery powered, with solar panel and 12/24 Vac-dc input (max DN600 with full bore units) – Aluminum case;

CH608P: mains powered version 12/24 Vac-dc or 90/264 Vac panel version – Polycarbonate case;

CH608I: mains powered version 12/24 Vac-dc or 90/264 with internal battery backup, or rechargeable battery with solar panel – Stainless Steel case.

Applications:

- Abstraction and distribution;
- District measurements;
- Revenue and bulk metering;
- Transport lines;
- Irrigation
- Waste water and treatment
- Leak detection systems
- Any remote application with no access to mains power.

Installation:

Compact (CH608A/B/R)

Separate (Remote): up to 100 meters cable with mains powered units (CH608A/P/I), or up to 30 meters of cable supplied from factory with battery operated units (CH608B/R). CH608 is compatible with the complete line of sensors.



Enclosures:

Reliable and robust IP68 case CH608A/B/R, Stainless steel IP54 with CH608I for remote installations, and IP67 polycarbonate sturdy case for panel installations CH608P.

Data security:

Excellent data security given by the internal EEPROM memory.

Enhanced data storage of 200.000 lines of data (more than 6 years of data under factory settings).

Cycle memory, old data will be overwritten by new ones when full capacity is reached. A software is supplied with the unit to allow users to communicate with the 608 via Ircom port or RS485 Modbus interface, to any pc, lap top or windows tablet.

Easy data download and management, easy programming.

Advanced self-diagnostic performs a wide range of essential checks automatically.

Multi-level password system to guarantee accessibility and confidentiality.

Accuracy and certifications:

- 2014/35/EU - EN 61010-1:2013 (LVD)
- 2014/30/EU - EN 61326-1:2013 (EMC)
- OIML R49-1:2013 - Class 2

CONVERTER CH608

Electromagnetic
flowmeter

Add on modules

Hart protocol option available on CH608A. Pressure and temperature reading modules, make the CH608 one of the most complete electronic converter for electromagnetic flow meters available, giving to the end user a full control over all the main parameters of its network, reducing cost of programming, installation and maintenance. One unit supplying flow - pressure - temperature, all at the same time.



CONVERTER

CH608

Electromagnetic
flowmeter

Features		CH608A	CH 608P	CH 608B	CH 608R	CH 608I
Case		Aluminium IP68	Polyc. IP54	Aluminium IP68	Aluminium IP68	SS IP54
Power supply	90...264 Vac	√	√			√
	12/24 Vac/dc	√	√			√
	Battery powered supply or 12/24Vac/dc			√		√
	Rechargeable battery + solar panel				√	√
Installation	Compact	√		√	√	
	Separate	max 100m	max 100m	max 30m	max 30m	max 100m
Signals I/O	Analogue output 4-20mA	√	√	√	***	√
	Pulse output	√	√	√	√	√
	Hart protocol*	√	√			
	Programmable digital output	√	√	**	***	√
	Active frequency digital output 0-10 kHz	√	√	**	***	√
Serial Communication	IrCOM interface	√	√	√	√	√
	RS 485 - MODBUS RTU	√	√	**	***	√
Display	Graphic LCD display 128x64 pixels, 50x25mm visual area, backlit white colour	√	√	√	√	√
Programming	With push buttons on board of converter, by IrCOM interface or via RS485 and MODBUS RTU	√	√	√	√	√
Process Data logger	4 MB flash memory, 200,000 lines of data	√	√	√	√	√
Standards	Type approved OIML R49-1: 2013 - Class 2	√				

** with 24 Vdc power supply

*** Only in recharge mode

CONVERTER CH608

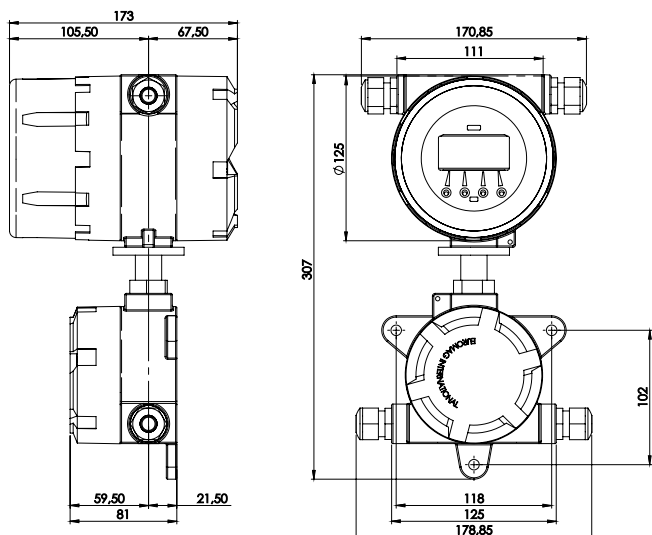
Electromagnetic
flowmeter

Features	CH608A	CH608P	CH608B	CH608R	CH608I
Temperature	Ambient: -20 ... +60 C° (-4 ... +140 F) Media 0 ... 70 C° (32 ... +158 F) Storage -40 ... +70 C° (-22 ... +158 F)				
Flow units	ml, cl, dl, l, dal, hl, m3 , in3, ft3, gal, USgal, bbl, oz + Custom value				
Add on modules	Pressure (1) and temperature (2) Module				
Totalizers	5 (2 positive, 2 negative, 1 NET)				
Alarms and status	Status icon displayed and alarm logged in the datalogger				
Self-diagnostic	Alarms available: • excitation failure • empty pipe on the 4th electrode • high temperature • pulse overlapped				
External verification	Field vericator available for calibration verification and electronic status				
Software for communication and programming	Commissioning (equal settings of meters) - Data print for documentation - Data export (CSV file) - Firmware update - Read instant flowrate - Read and write all non-volatile parameters - Download internal datalogger - View instrument event logger				
Diagnostic Data logger	64 kB EEPROM, 2000 lines of data. Not programmable and tamper/ reset proof				

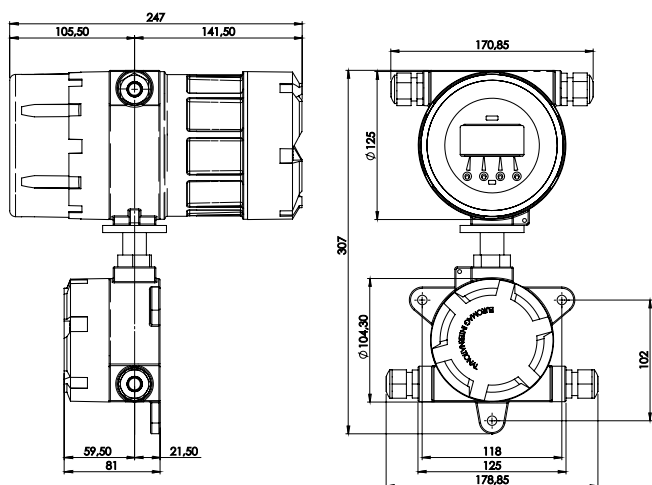
CONVERTER CH608

Electromagnetic
flowmeter

CH608A



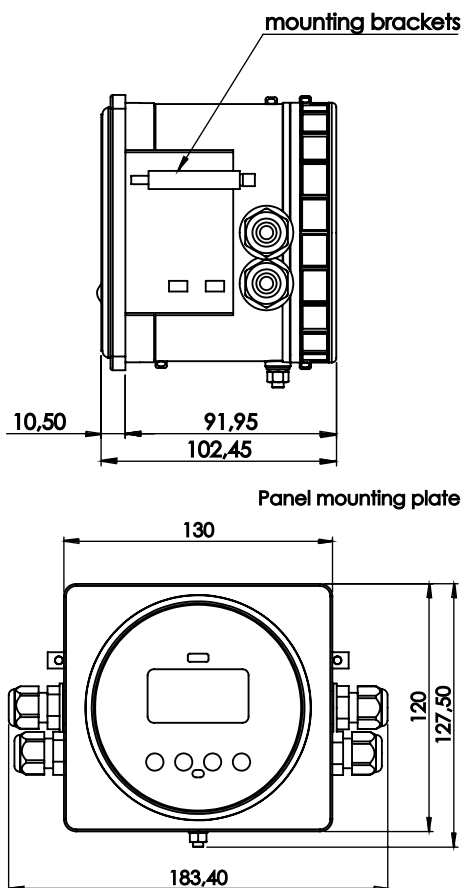
CH608B/R



CONVERTER CH608

Electromagnetic
flowmeter

CH608P



CH608I

