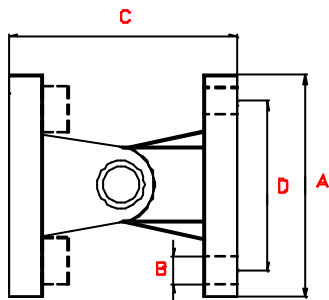




Rearbracket

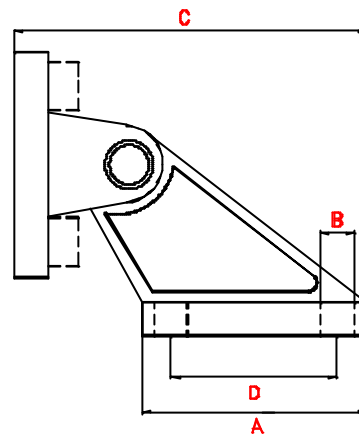
Suitable for actuators WV-111, WV-121

Straight bracket Type WV-111-I



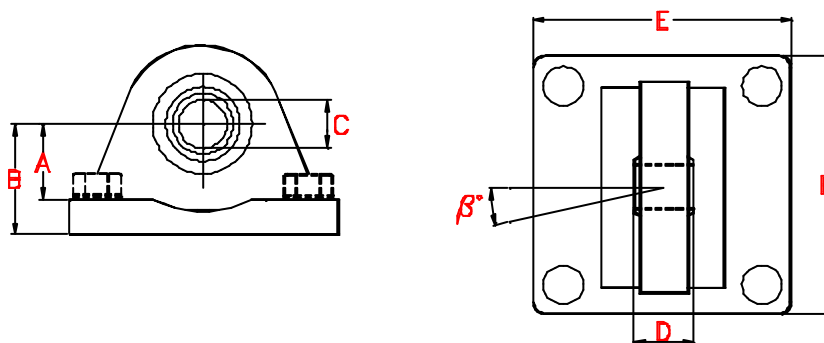
Cylinder diameter	A	B	C	D
80	90	11	72	72
100	110	11	82	89

Angled bracket Type WV-111-Z



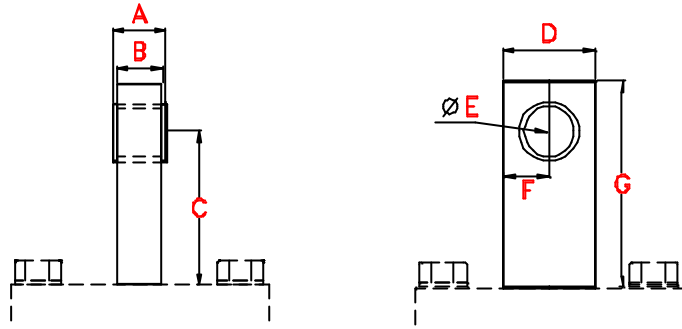
Cylinder diameter	A	B	C	D
80	90	11	235	75
100	110	11	256	90

Back ball-and-socket joint bracket



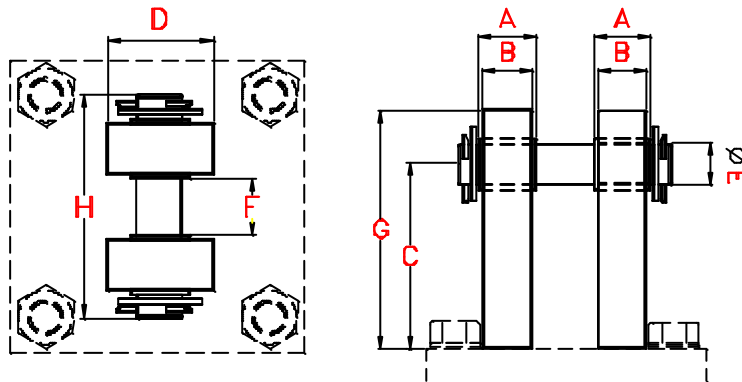
Cylinder diameter	A	B	C	D	E	?
80	24	36	16	21	90	15
100	29	41	20	25	110	15

Straight simple bracket Type WV-111-2



Cylinder diameter	A	B	C	D	? E	F	G
80	22	20	55	40	20	20	75
100	22	20	55	40	20	20	75
140	37	35	75	70	20	35	100

Straight double back bracket Type WV-111-3



Cylinder diameter	A	B	C	D	? E	F	G	H
80	22	20	55	40	20	30	75	94
100	22	20	55	40	20	30	75	94
140	37	35	75	70	20	30	100	124