



TD7800 I/P-Transducer

Applications

I/P-transducer is a electro-pneumatic transducer with very high accuracy. The I/P-transducer is suitable for supervision-applications, operation control for slower course and adjustment of the pressure where very high accuracy is demanded and they are excelent for so-called "Dead-end"-applications i.e. where no air-consumption occurs. The TD7800 can be used in all occurring industrial applications thanks to the units unique stability.

Benefits

- Entirely insensicive to vibrations and mounting position
- Very high accuracy
- Internal electronic feedback
- Compact size

Design

I/P-transducer with disk/seatingtechnology (Flapper/Nozzle). Span- and zeropoint adjustment is easily accessible on the I/P-transducers exterior.

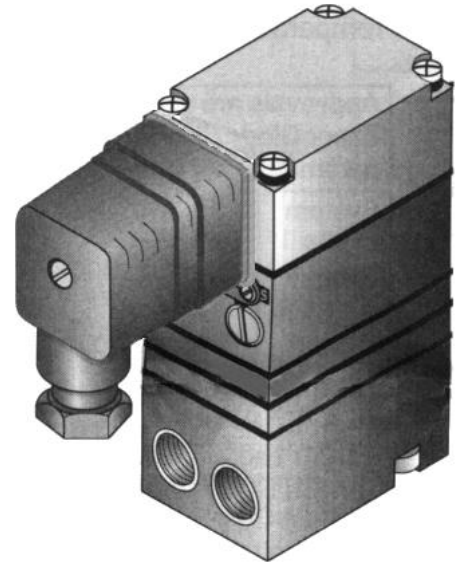
House	Chromate treated aluminum
Trim	Stainless steel, brass, zinc plated steel
Elastomers	Buna N
Finish	Epoxy powder coating
Position effect	No measurable effect
Temp. effect	+0,04%/deg
Vibration effect	Less then +1%
Supply pressure effect	No measurable effect

Bracket for DIN-railmounting and wall mounting is included

Specifications

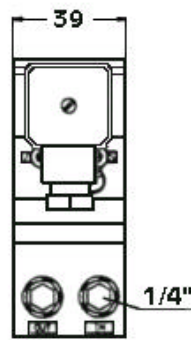
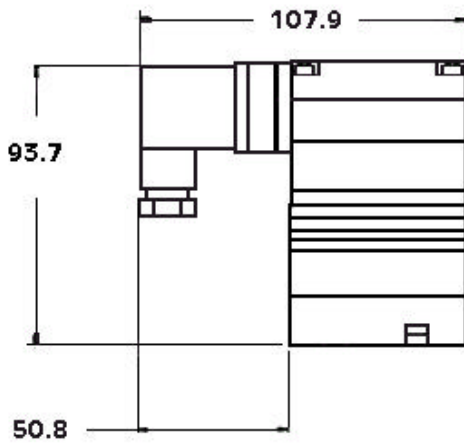
Media	Air and neutral gases, unoiled, min 5mm filtration
Electrical connection	Contact DIN43650/A
Protection	IP65
Input	4 - 20 mA
Output signal	3 - 15 psig 0.2 - 1.0 bar 20 - 100 kPa
Supply pressure	20 - 120 psig 1.5 - 8.0 bar 150 - 800 kPa
Temperature limits	-40 to +71.2 deg C -40 to +82.2 deg C (storage)
Hysteresis	< 0.1%
Repeatability	<0.1%
Accuracy	+/- 0.15

The Supply pressure must be 5 psig 0.35 BAR 35 kPa (min) above maximum output.

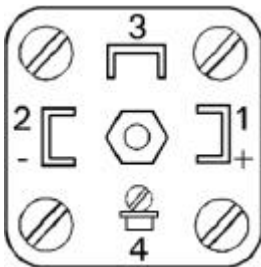


Technical Specifications

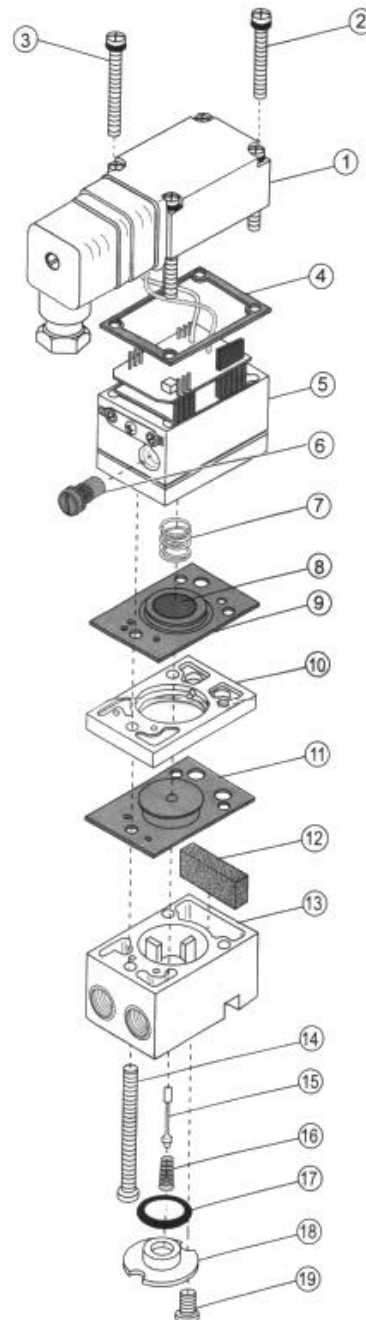
Dimensions



Coupling



Connection	Coupling
1	Signal (+)
2	Signal (-)
3	Not used
4	Ground



TD7800 Transducer Components		
Item	Qty	Description
1	1	Cover, Machining
2	2	Screw
3	2	Screw
4 ¹	1	Gasket
5	1	Nozzle body assembly
6 ¹	1	Orifice assembly
7	1	Spring
8 ¹	1	Disk
9 ¹	1	Diaphragm
10	1	Spacer ring
11 ¹	1	Diaphragm assembly
12 ¹	1	Foam block
13	1	Valve body assembly
14	3	Screw
15	1	Pintle
16	1	Spring, Pintle
17 ¹	1	O-ring
18	1	Plug
19	2	Screw